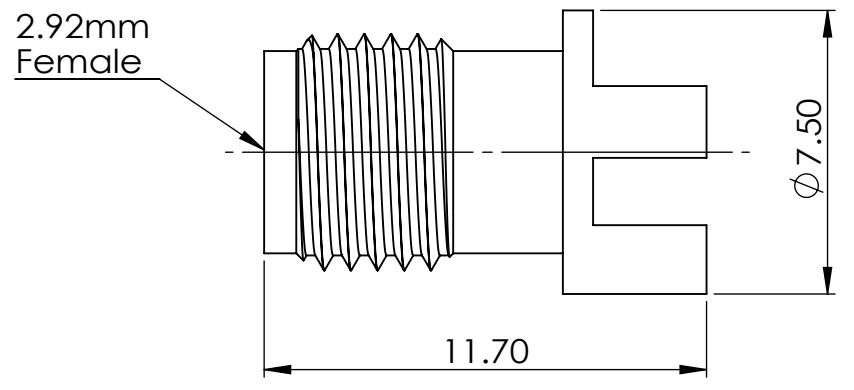
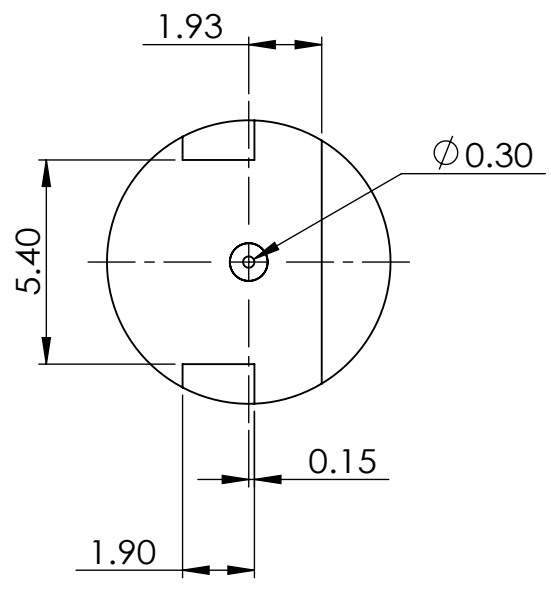
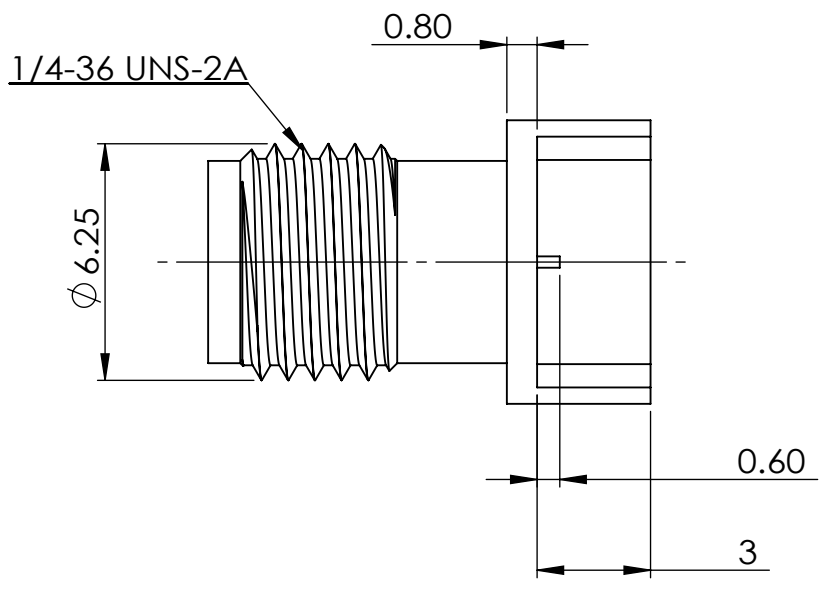


General tolerance unless otherwise stated.		Normal
0 mm - 4 mm	± 0.10 mm	
4 mm - 16 mm		



- NOTES :
- UNLESS OTHERWISE SPECIFIED ALL DIMENSIONS ARE NOMINAL
 - ALL SPECIFICATIONS ARE SUBJECT TO CHANGE WITHOUT NOTICE AT ANY TIME

* DO NOT SCALE DRAWING *

00	Overall Dimensions	2.92 mm K type connector	1			5 : 1	PART NO	CN-4036C702	APPROVE	CHECK	DRAWN BY
NO.	PART NAME	MODEL	Q'TY	MATERIAL	TREATMENT	SCALE	DRAWING NO				
			UNIT	mm [inch]	PAGE	1 - 1	REFERENCE				
			VERSION			1 - 0					